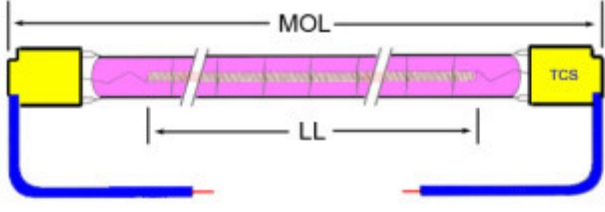
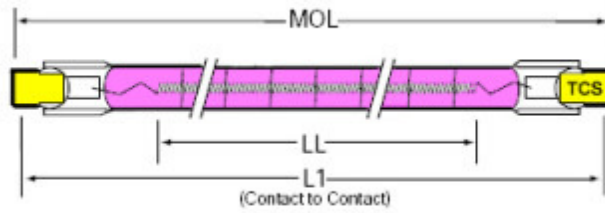
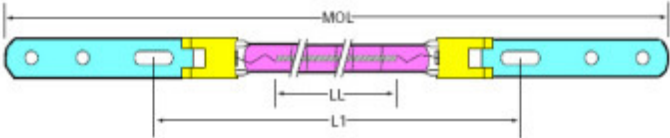
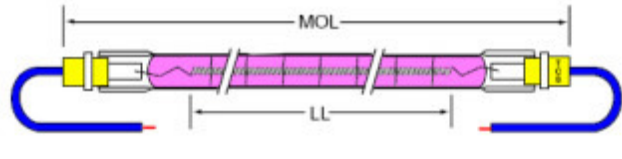
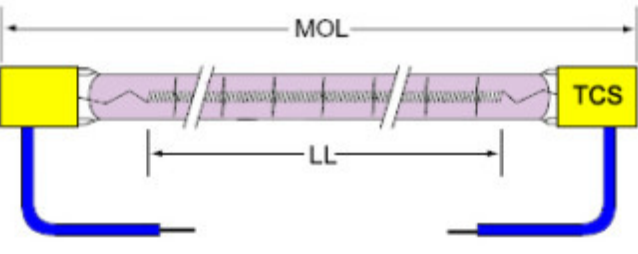


## INFRARED QUARTZ LAMPS 300 watts to 900 watts

Voltage	Lamp number	MOL (mm)	LL (mm)	Fig #	Cross reference
<b>300 Watts</b>					
120	QIH120-300T/S	214	106	1	QH300T3
<b>375 Watts</b>					
120	QIH120-375T/E	128	215	2	QH375T3/7
120	QIH120-375T/S	223	128	1	QH375T3
<b>500 Watts</b>					
105	QIH105-500T/S	223	127	1	QH500T3
120	QIH120-500/B	356	142	3	13169X
120	QIH120-500/L	223	127	4	QH500T3/CL
120	QIH120-500/S	223	127	1	QH500T3/CL
120	QIH120-500/S2	221	142	1	13169Y

120	QIH120-500/ZB	356	142	3	13169X/98
120	QIH120-500T/E	220	127	2	QH5000T3/7
120	QIH120-500T/S	223	127	1	QH500T3
120	QIH120-500T/S3	223	127	1	
240	QIH240-500/D	228	165	5	13169Z
240	QIH240-500/ZD	228	165	5	13169Z/98
600 Watts					
104	QIH104-600/S	303	152	1	600T3/CL/12
800 Watts					
120	QIH120-800T/S	303	203	1	QH800T3
900 Watts					
216	QIH216-900/S	405	229	1	900T3/CL/16

	<p><b>Figure 1 metal sleeve with lead wire</b></p>
	<p><b>Figure 2 R7S recessed contact</b></p>
	<p><b>Figure 3 metal clip</b></p>
	<p><b>Figure 4 round ceramic with lead wire</b></p>
	<p><b>Figure 5 ceramic with lead wire</b></p>

**INFRARED QUARTZ LAMPS 1000 watts**

Voltage	Lamp number	MOL (mm)	LL (mm)	Fig #	Cross reference
1000 Watts					

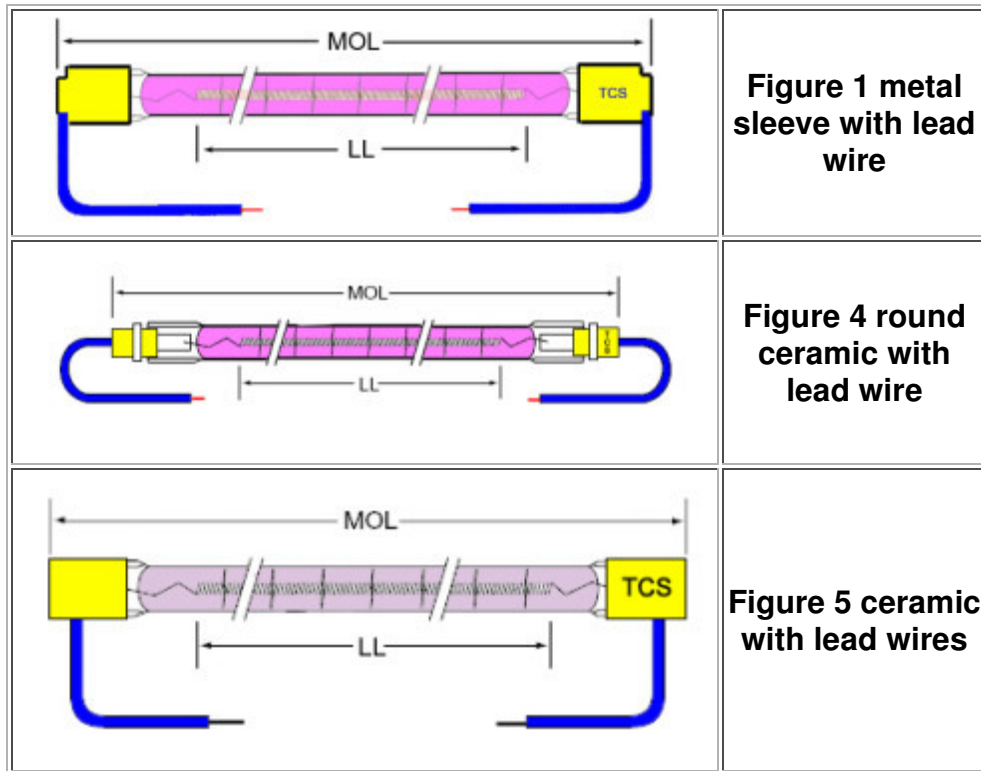
200	QIH200-1000/VD	358	272	5	
200	QIH200-1000/ZB	485	272	2	
208	QIH208-1000T/S	351	254	1	QH1000T3
240	QIH240-1000/B	272	272	3	13195X
240	QIH240-1000/S	351	254	1	QH1000T3/2CL/HT
240	QIH240-1000/S2	303	254	1	QH1000T3/CL
240	QIH240-1000/S3	351	372	1	13195Y
240	QIH240-1000/VB	485	272	3	13713X
240	QIH240-1000/VD	358	272	5	13713Z
240	QIH240-1000/VZD	358	272	5	13713Z/98
240	QIH240-1000/ZB	485	272	3	13195X/98
240	QIH240-1000/ZD	358	272	5	13195Z/98
240	QIH240-1000T/S	351	254	1	QH1000T3
240	QIH240-1000/VS2	303	254	1	

240	QIH240-1000VZH	358	272	5	13713Z/98
240	QIH240-1000/ZH3	357	272	5	

	<p><b>Figure 1 metal sleeve with lead wire</b></p>
	<p><b>Figure 2 R7S recessed contact</b></p>
	<p><b>Figure 3 metal clip</b></p>
	<p><b>Figure 5 ceramic with lead wires</b></p>

**INFRARED QUARTZ LAMPS 1200 watts to 1350 watt**

<b>Voltage</b>	<b>Lamp number</b>	<b>MOL (mm)</b>	<b>LL (mm)</b>	<b>Fig #</b>	<b>Cross reference</b>
<b>1200 Watts</b>					
<b>144</b>	<b>QIH144-1200/S</b>	<b>224</b>	<b>155</b>	<b>1</b>	<b>QH1200T3/CL</b>
<b>144</b>	<b>QIH144-1200/S2</b>	<b>228</b>	<b>155</b>	<b>1</b>	<b>13561Y/00</b>
<b>230</b>	<b>QIH230-1200/ZH</b>	<b>225</b>	<b>155</b>	<b>5</b>	<b>14134Z/98</b>
<b>1300 Watts</b>					
<b>220</b>	<b>QIH220-1300/ZL</b>	<b>377</b>	<b>290</b>	<b>4</b>	
<b>230</b>	<b>QIH230-1300/ZL</b>	<b>453</b>	<b>358</b>	<b>4</b>	
<b>1350 Watts</b>					
<b>115</b>	<b>QIH115-1350/L</b>	<b>317</b>	<b>256</b>	<b>4</b>	<b>13381/99</b>
<b>220</b>	<b>QIH220-1350/L</b>	<b>317</b>	<b>256</b>	<b>4</b>	<b>13381/99</b>

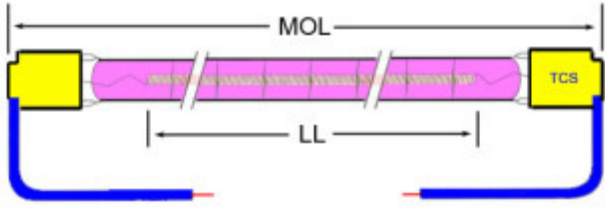
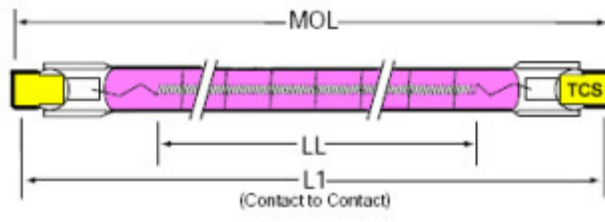
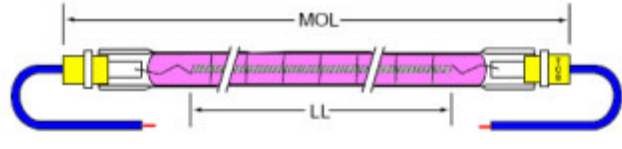
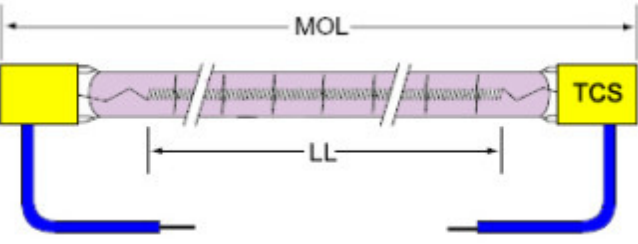


**INFRARED QUARTZ LAMPS 1500 watts TO 1600 watts**

Voltage	Lamp number	MOL (mm)	LL (mm)	Fig #	Cross reference
<b>1500 Watts</b>					
225	QIH225-1500/S	557	381	1	1500T3/CL/22
230	QIH230-1500/E	370	317	2	
230	QIH230-1500/ZL	453	360	4	
240	QIH240-1500/S	303	235	1	1500T3/CL/HT

400	QIH400-1500/ZL	453	360	4	
1600 Watts					
144	QIH144-1600/S	229	150	1	13568Y/00
200	QIH200-1600/S	224	158	1	
208	QIH208-16000/L	502	407	4	
208	QIH208-1600T/E	499	407	2	QH1600T3/7
208	QIH208-1600T/S	503	407	1	QH1600T3
230	QIH230-1600/ZH	225	155	5	14135Z/98
240	QIH240-1600/E	499	407	2	
240	QIH240-1600/L2	502	407	4	
240	QIH240-1600/S	503	407	1	QU1600T3/CL
240	QIH240-1600/S2	456	407	1	1600T3/1CL/HT
240	QIH240-1600/VL2	502	407	4	
240	QIH240-1600T/E	499	407	2	QH1600T3/7



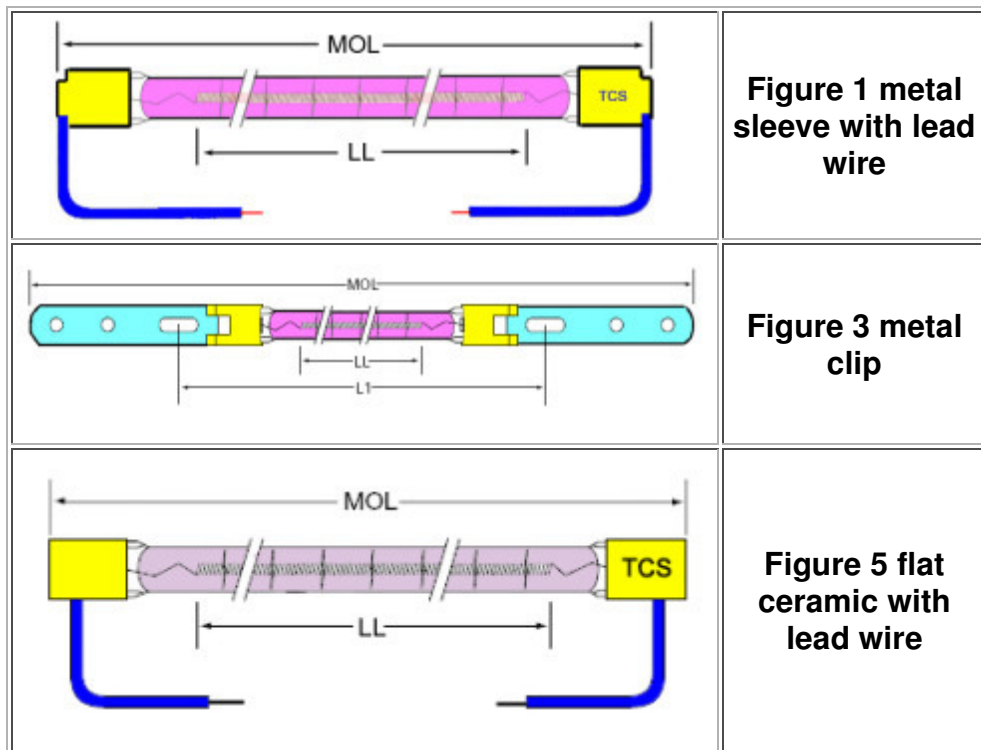
	<p><b>Figure 1 metal sleeve with lead wire</b></p>
	<p><b>Figure 2 R7S recessed contact</b></p>
	<p><b>Figure 4 round ceramic with lead wire</b></p>
	<p><b>Figure 5 flat ceramic with lead wire</b></p>

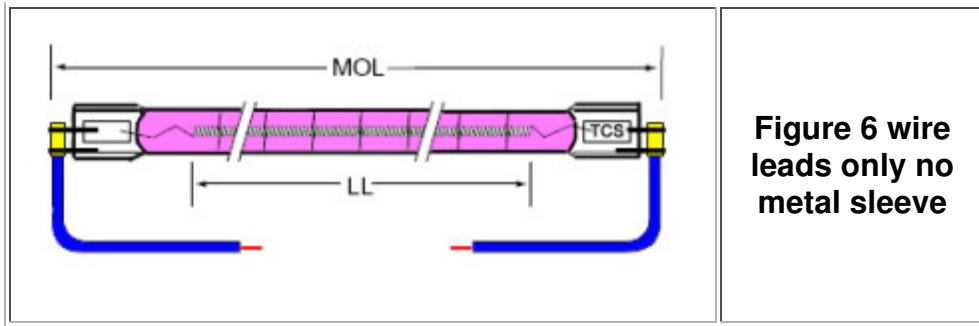
**INFRARED QUARTZ LAMPS 2000 watts to 2400 watts**

Voltage	Lamp number	MOL (mm)	LL (mm)	Fig #	Cross reference
2000 Watts					

240	QIH240-2000/C	350	280	6	13213Y/00
240	QIH240-2000/S	303	248	1	QH2M/T3 /1CL/HT
240	QIH240-2000/S2	351	254	1	QH2M/T3 /CL/HT
240	QIH240-2000/VB	485	280	3	13168X
240	QIH240-2000/VC	350	280	6	13168V
240	QIH240-2000/VC2	349	280	6	
240	QIH240-2000/VS	303	248	1	QH2M/T3 /1CL/HT/VB
240	QIH240-2000/VZD	357	280	5	1316Z/98
240	QIH240-2000T/S	603	508	1	2000T3/524
240	QIH240-2000/VZH	357	280	5	13168Z/98
240	QIH240-2000/ZD4	354	290	5	
240	QIH240-2000/ZH3	357	280	5	
240	QIH240-2000/ZH5	354	290	5	

400	QIH400-2000/VB	623	410	3	13765X
400	QIH400-2000/ZB	623	410	3	13245X/98
2200 Watts					
250	QIH250-2200/C	303	248	6	2200T3/CL/H
2400 Watts					
461	QIH461-2400/S	786	610	1	2400T3/CL/31



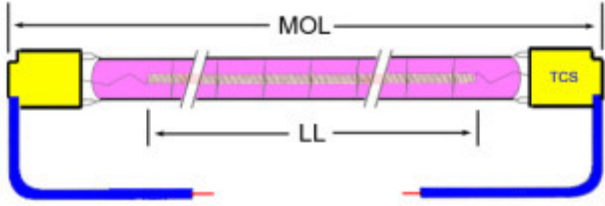
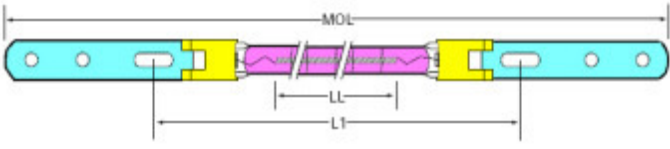
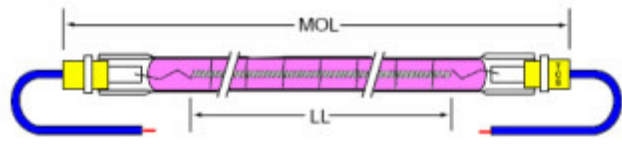
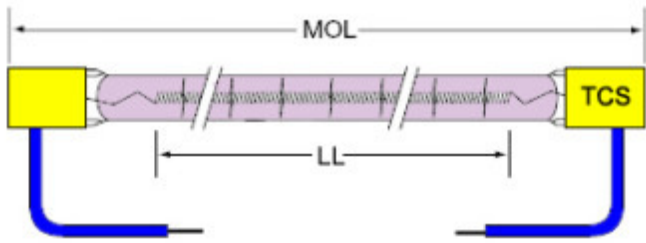


**Figure 6 wire leads only no metal sleeve**

## INFRARED QUARTZ LAMPS 2500 watts to 3000 watts

Voltage	Lamp number	MOL (mm)	LL (mm)	Fig #	Cross reference
<b>2500 Watts</b>					
<b>400</b>	<b>QIH400-2500/ZH</b>	<b>381</b>	<b>310</b>	<b>5</b>	
<b>400</b>	<b>QIH400-2500/ZH2</b>	<b>357</b>	<b>280</b>	<b>5</b>	
<b>400</b>	<b>QIH400-2500/ZD</b>	<b>381</b>	<b>310</b>	<b>5</b>	
<b>480</b>	<b>QIH480-2500/L</b>	<b>731</b>	<b>635</b>	<b>4</b>	
<b>480</b>	<b>QIH480-2500/S</b>	<b>732</b>	<b>635</b>	<b>1</b>	<b>QH2500T3/CL</b>
<b>480</b>	<b>QIH480-2500/VL</b>	<b>731</b>	<b>635</b>	<b>4</b>	
<b>480</b>	<b>QIH480-2500/VS</b>	<b>732</b>	<b>635</b>	<b>1</b>	<b>2500T3/CL/VB</b>

480	QIH480-2500T/E	727	635	2	QH2500T3/7
480	QIH480-2500T/L	729	635	4	
480	QIH480-2500T/S	732	635	1	QH2500T3
480	QIH480-2500/ZH	737	635	5	
575	QIH575-2500/S	732	635	1	2500T3/HT
600	QIH600-2500/L	731	635	4	
600	QIH600-2500/VL	731	635	4	
3000 Watts					
240	QIH240-3000S	503	410	1	3000T3/CL
240	QIH240-3000/VC	349	280	6	
400	QIH400-3000/B	913	700	3	13215X
400	QIH400-3000/B2	623	410	3	
400	QIH400-3000/VZB	913	700	3	13230X/98
400	QIH400-3000/ZD	381	310	5	

	<p><b>Figure 1 metal sleeve with lead wire</b></p>
	<p><b>Figure 3 metal clip</b></p>
	<p><b>Figure 4 round ceramic with lead wire</b></p>
	<p><b>Figure 5 flat ceramic with lead wire</b></p>

**INFRARED QUARTZ LAMPS 3200 watts to 5800 watts**

Voltage	Lamp number	MOL (mm)	LL (mm)	Fig #	Cross reference
3200 Watts					
384	QIH384-3200/S	456	406	1	3200T3/CL/HT

	<p><b>Figure 1 metal sleeve with lead wire</b></p>
	<p><b>Figure 4 round ceramic with lead wire</b></p>
	<p><b>Figure 6 wire leads only no metal sleeve</b></p>