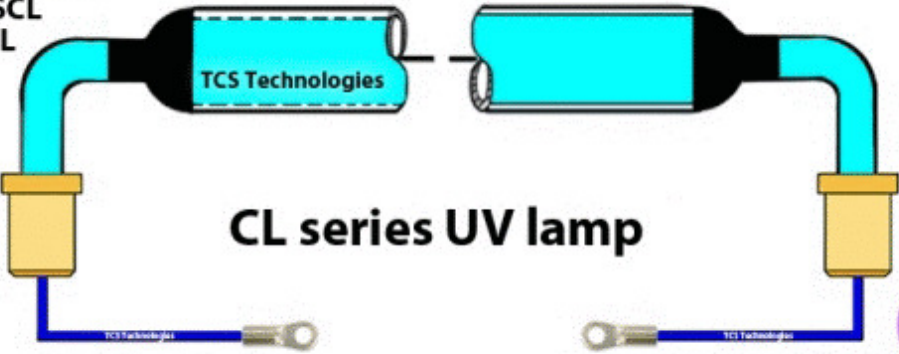
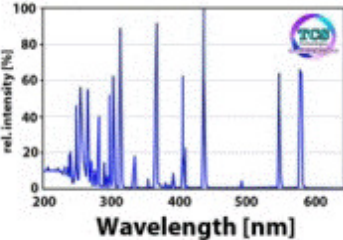
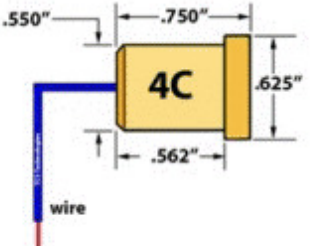
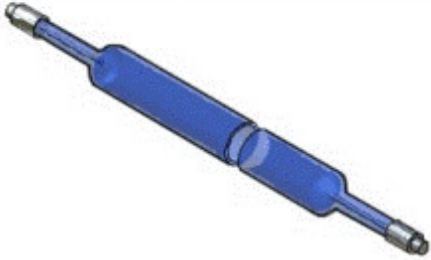
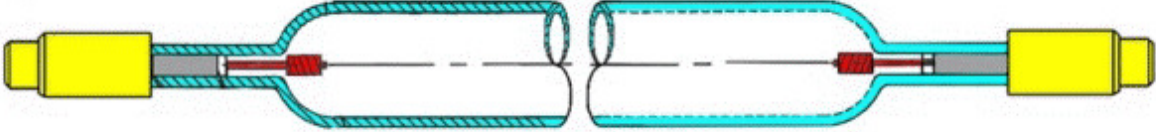


# UV Curing Lamps For Brewer Equipment


Do not scale	Brewer CL style			
Ref: 830CL, 840CL 930CL, 940CL 1130ISCL 1230CL	 <p style="text-align: center;"><b>CL series UV lamp</b></p>			
 <p style="text-align: center;">Wavelength [nm]</p>	 <p style="text-align: center;">4C</p> <p style="text-align: center;">wire</p>	<p style="text-align: center;"><b>TCS Technologies</b>                  430 Sandshore Road Unit 1                  Hackettstown, NJ 07840</p> <hr/> <p style="text-align: center;"><b>UV lamp Brewer CL style</b></p> <table border="1" style="width: 100%;"> <tr> <td data-bbox="1015 1108 1161 1150">3-7-1994</td> <td data-bbox="1193 1108 1421 1150">Brewer CL style</td> </tr> </table>	3-7-1994	Brewer CL style
3-7-1994	Brewer CL style			

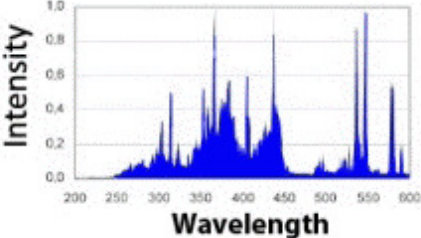
Do not scale
431 metal





**UV lamp type 431 suffix style**





**TCS Technologies**  
430 Sandshore Road Unit 1  
Hackettstown, NJ 07840

---

**UV lamp 431 metal style**

---

7/15/2002	431 metal
-----------	-----------

Jim Brewer has been around UV curing for many years. He is a likeable gentleman full of UV application knowledge. Best known in the narrow web label industry, Brewer UV Systems have stood the test of time.

One particular innovation of Brewer UV is the CL (curved leg) series lamp. This is a space-saving design where lamp is bent into the shape of a “towel bar”. Most popular versions are 830CL and 930CL. These are used on many Webtron and Mark Andy presses.

**Here is a partial list of Brewer Equipment lamps we manufacture.**

830S	930S	830C	930C	830CL
930CL	840CL	940CL	840S	840C
930CLZ	1030S	1220S	1230C	1530C
1230CL	1130ISCL	1230S	1530S	180S

<b>2030S</b>	<b>1830C</b>	<b>2030C</b>	<b>2530S</b>	<b>2830S</b>
<b>3030S</b>	<b>3830S</b>	<b>1130USR</b>	<b>1150USR</b>	<b>930IS</b>
<b>1230ISC4</b>	<b>940C</b>	<b>1220C</b>	<b>830ISC</b>	<b>1260C</b>
<b>2530C</b>	<b>2140KURZ</b>	<b>1940KURZ</b>		

