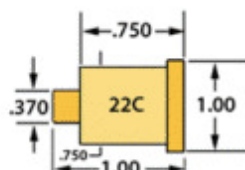
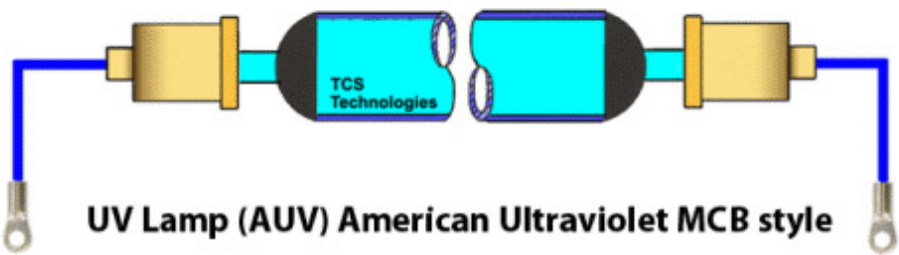
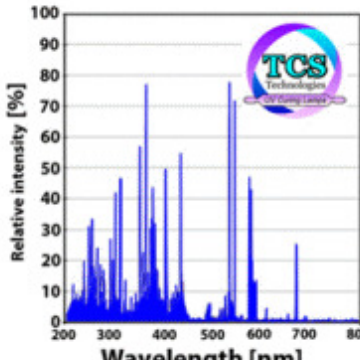



# UV Curing Lamps For American Ultraviolet

Do not scale
AUV style

**UV Lamp (AUV) American Ultraviolet MCB style**





<b>TCS Technologies</b>	
430 Sandshore Road Unit 1 Hackettstown, NJ 07840	
<b>UV lamp American Ultraviolet</b>	
<b>8-20-2007</b>	<b>American UV</b>

Keep your American Ultraviolet UV-system operating at peak efficiency with TCS Technologies replacement UV curing lamps. Whether you have a Porta-Cure, mini-conveyer or full-production UV conveyor dryer, we have the lamp for you. We also offer replacement ceramic insulators for your AUV system.

Count on TCS Technologies to provide finest quality replacement ultraviolet lamps for your American Ultraviolet equipment.

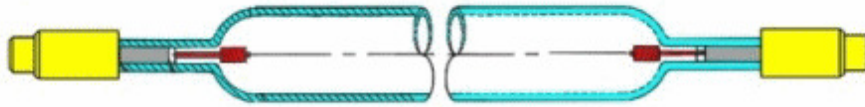
***Lamps we manufacture include:***

9421MCB	A94121MCB	A94251MCB	A94481MCB	A94771MCB
A9441MCB	A94121FCB	A94251FCB	A94481FCB	A94771FCB
UVC020	A94122MCB	A94301MCB	A94501MCB	A94901MCB

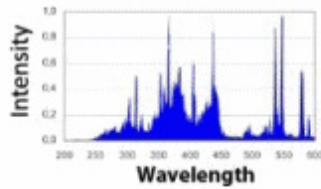
<b>UVC005</b>	<b>A94151MCB</b>	<b>A94301FCB</b>	<b>A94501FCB</b>	<b>A94901FCB</b>
<b>A9461FCB</b>	<b>A94171MCB</b>	<b>A94321FCB</b>	<b>A94551FCB</b>	<b>6838A22C</b>
<b>A9481MCB</b>	<b>A94171FCB</b>	<b>A94381MCB</b>	<b>A94601MCB</b>	<b>6811A22C</b>
<b>A9481FCB</b>	<b>A94181MCB</b>	<b>A94381FCB</b>	<b>A94601FCB</b>	<b>6812A22C</b>
<b>UVC035</b>	<b>A94181FCB</b>	<b>A94421MCB</b>	<b>A94651MCB</b>	<b>6818A22C</b>
<b>UVC220</b>	<b>UVC105</b>	<b>A94421FCB</b>	<b>A94651FCB</b>	<b>6848A22C</b>
<b>A94111MCB</b>	<b>A94201MCB</b>	<b>UVC145</b>	<b>A94721MCB</b>	<b>6555A22C</b>
<b>A94111FCB</b>	<b>A94201FCB</b>	<b>A94481MCB</b>	<b>A97421FCB</b>	<b>6830A22C</b>
<b>6860A22C</b>	<b>PC1021</b>	<b>PC1521</b>	<b>UVC060</b>	<b>UVC135</b>
<b>UVC105</b>	<b>UVC145</b>	<b>AM2045X</b>	<b>AM2082X</b>	<b>AM3626X</b>
<b>Porta-Cure</b>	<b>UVC155</b>	<b>UVC090</b>	<b>UVC185</b>	

Do not scale

431 metal



UV lamp type 431 suffix style



TCS Technologies

430 Sandshore Road Unit 1  
Hackettstown, NJ 07840

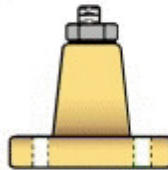
UV lamp 431 metal style

7/15/2002

431 metal

Do not scale

5213



Ceramic standoff assembly for American Ultraviolet lamp assembly



TCS Technologies  
Hackettstown, NJ 07840 USA

5213 Standoff assembly

8/20/83

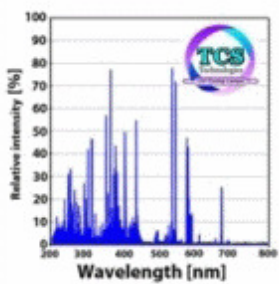
5213

Do not scale

Porta-Cure



UV lamp American Ultraviolet Porta-Cure style



**TCS Technologies**  
430 Sandshore Road Unit 1  
Hackettstown, NJ 07840

**UV lamp Porta-Cure**

8-20-2007

Porta-Cure