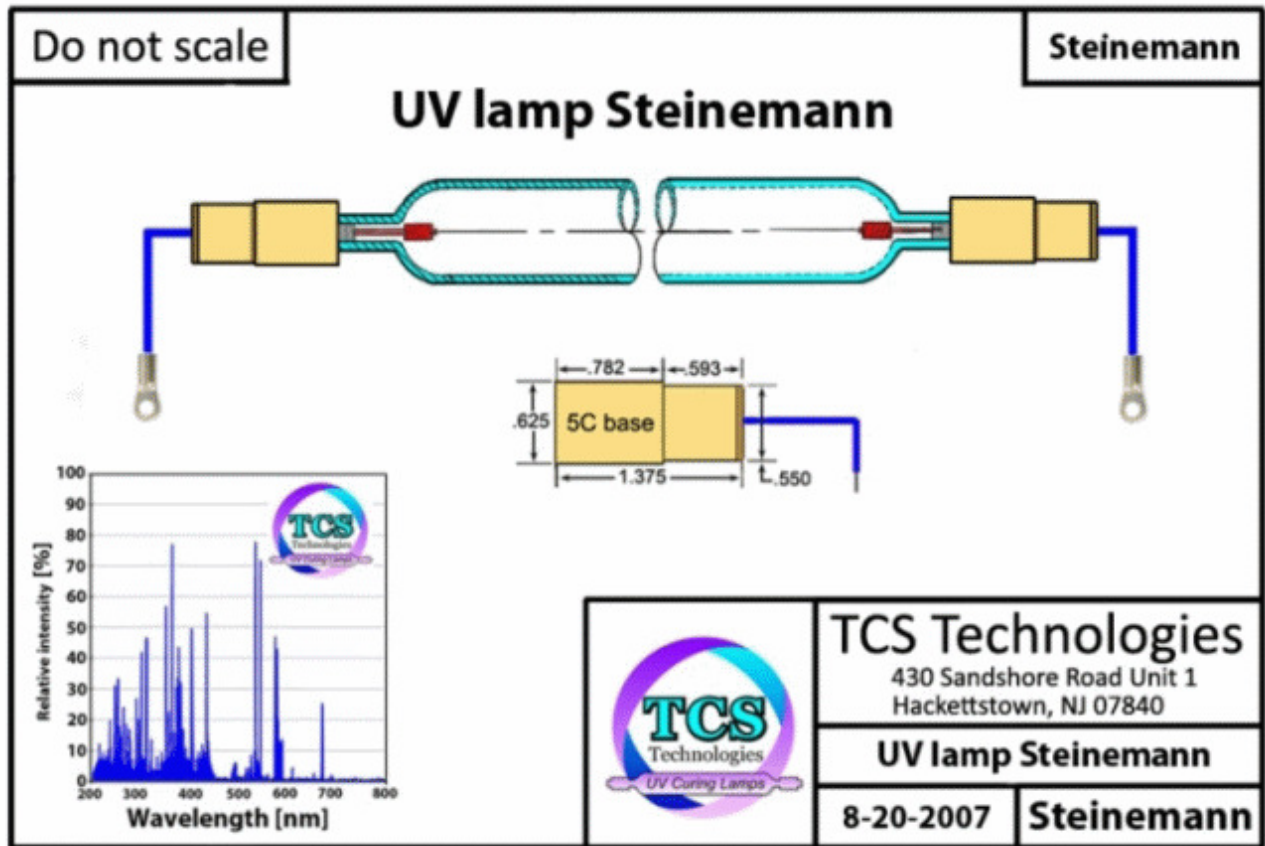
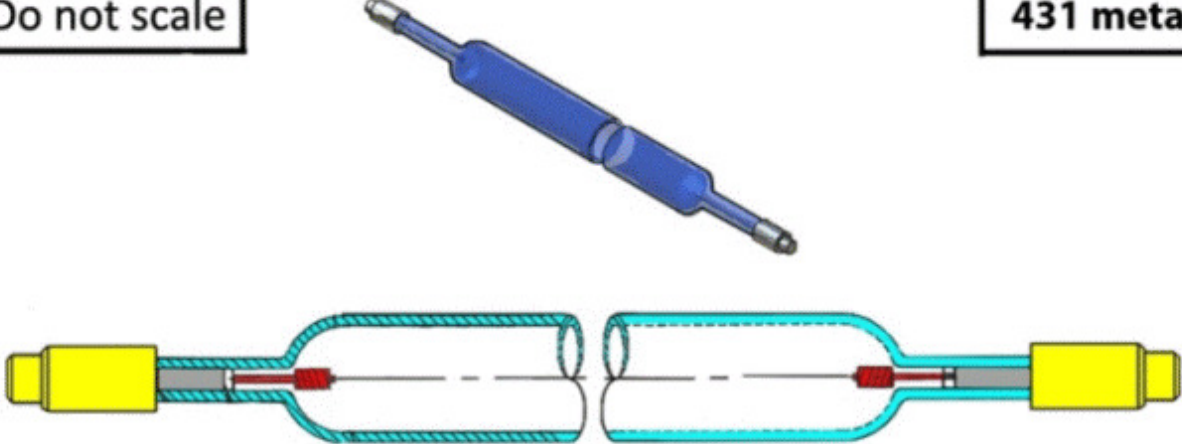

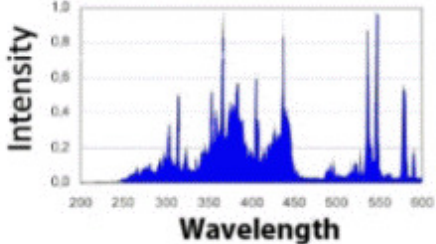


# UV Curing Lamps For Steinemann



TCS Technologies produces a diverse UV lamp line for use in Steinemann equipment.  
**Typical lamps include:**

BT95-0187	6538A431	6842A442
Top Spot 102	Uvimat	

<b>Do not scale</b>	<b>431 metal</b>
	
<b>UV lamp type 431 suffix style</b>	
	
<b>TCS Technologies</b> 430 Sandshore Road Unit 1 Hackettstown, NJ 07840	
<b>UV lamp 431 metal style</b>	
<b>7/15/2002</b>	<b>431 metal</b>

TCS Technologies' UV curing lamps are directly interchangeable with Steinemann OEM bulb. You receive the same quality, USA-manufactured product at a fraction of the cost.

Compare curing performance and price; you will see why TCS Technologies' curing lamps compares favorably to OEM bulb.