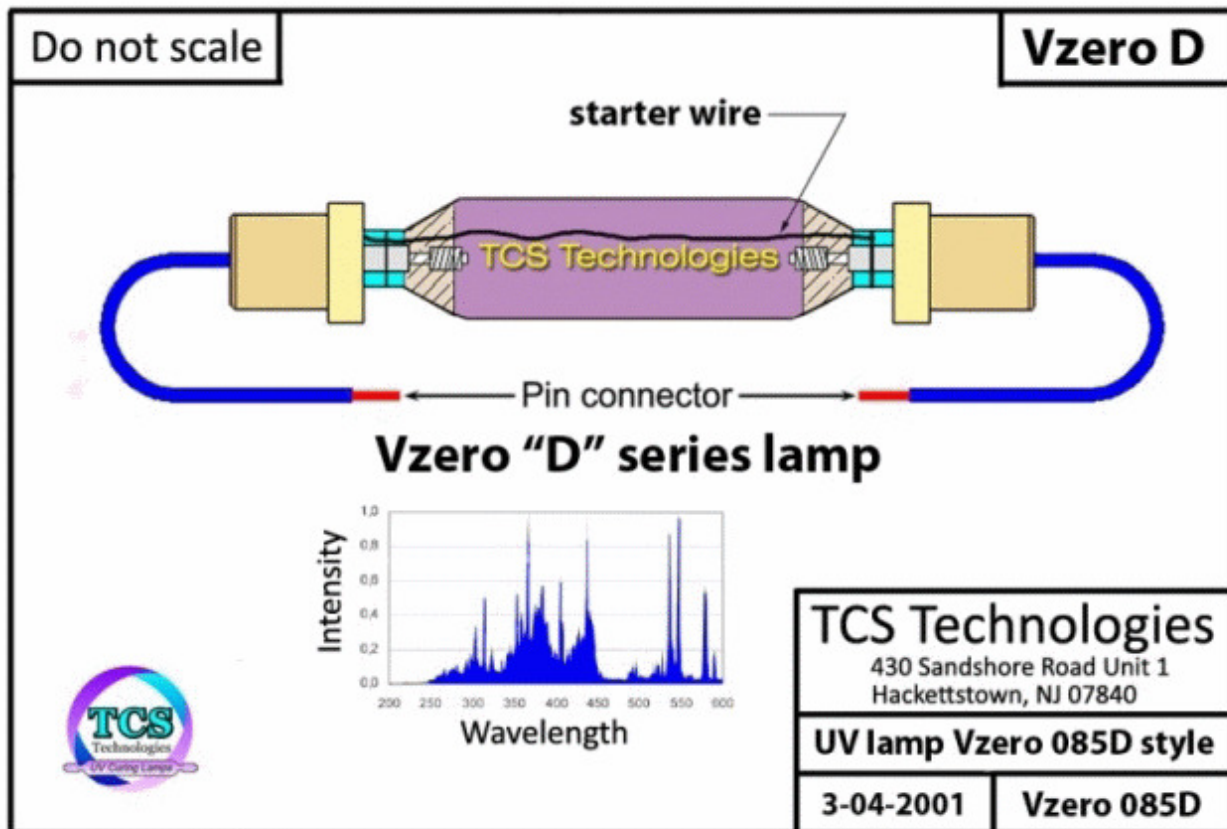


UV Curing Lamps For Agfa

Agfa is a main player in the digital inkjet printing market. Detailed additional information about our line or replacement UV lamps for Agfa Annapurna equipment can be found under the **UV Inkjet lamp** button of this website.

Our UV curing lamps provide a cost effective alternative to Agfa OEM product.



- Our lamp is directly interchangeable with OEM product
- Our lamp is fabricated from the finest USA quartz and components
- Our lamp operates the same power level as OEM product
- Our lamp cures at the same rate
- Our lamps cost less

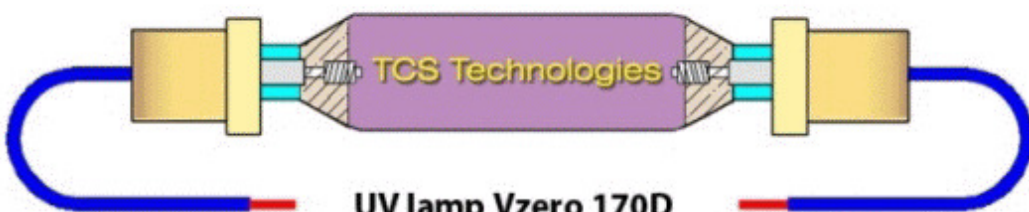
The key difference between an OEM part and that provided by TCS Technologies is the distributor of the part. Inkjet manufacturers do not fabricate UV lamps themselves. TCS Technologies actually manufactures the lamps we sell. Just because a lamp is from a second source does not mean inferior quality. Our lamp quality is equal to or greater than

the OEM. You receive the same quality product at a fraction of the cost.


Replacement lamps for Agfa printers include:

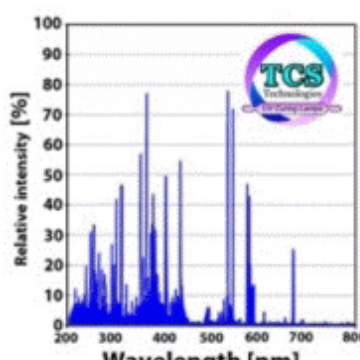
Vzero	Vzero 085D	Vzero 085A	Vzero 140D
Vzero 170D	1922F-1 Dilli	Vzero 171D	

Do not scale
Vzero 170D



UV lamp Vzero 170D





TCS Technologies
430 Sandshore Road Unit 1
Hackettstown, NJ 07840

UV lamp Vzero 170D

11-18-2008 Vzero 170D