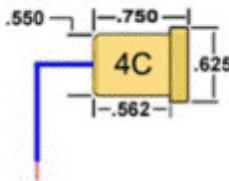

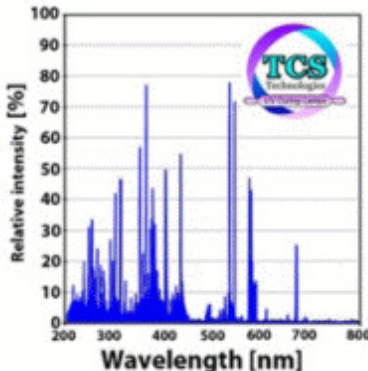





UV Curing Lamps For Frank Matthews (FMA)

Do not scale	FMA							
UV lamp FMA (Frank Matthews) equipment								
	 <p>Female disconnect</p>							
	<table border="1" style="width: 100%; border-collapse: collapse;"> <tr> <td rowspan="3" style="text-align: center; vertical-align: middle;">  </td> <td colspan="2" style="padding: 5px;">TCS Technologies 430 Sandshore Road Unit 1 Hackettstown, NJ 07840</td> </tr> <tr> <td colspan="2" style="text-align: center; padding: 5px;">UV lamp FMA</td> </tr> <tr> <td style="padding: 5px;">8-20-2007</td> <td style="padding: 5px;">FMA</td> </tr> </table>		TCS Technologies 430 Sandshore Road Unit 1 Hackettstown, NJ 07840		UV lamp FMA		8-20-2007	FMA
	TCS Technologies 430 Sandshore Road Unit 1 Hackettstown, NJ 07840							
	UV lamp FMA							
	8-20-2007	FMA						

TCS Technologies produces a diverse lamp line for use in FMA Frank Matthews equipment. **Typical lamps include:**

P3048C-FM	P3055C-FM	P3060C-FM
P3065C-FM	P2077C-FM	M4018C-FM

Our UV curing lamps are directly interchangeable with the OEM bulb. You receive the same quality, USA-manufactured product at a fraction of the cost.

Compare curing performance and price; you will see why TCS Technologies' curing lamps compares favorably to OEM bulb.

- Our lamp is directly interchangeable with FMA OEM product
- Our lamp is fabricated from the finest USA quartz and components
- Our lamp operates the same power level as OEM product

- Our lamp cures at the same rate
- Our lamp costs less