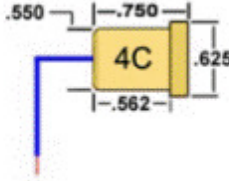

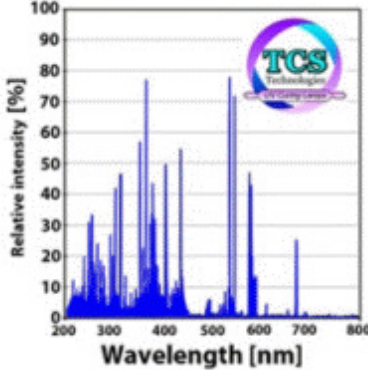





UV Curing Lamps For Dorn SPE

Do not scale	SPE							
<h2 style="margin: 0;">UV lamp Dorn SPE style</h2>								
	 <p style="margin: 0;">Female disconnect</p>							
	<table border="1" style="width: 100%; border-collapse: collapse;"> <tr> <td rowspan="3" style="text-align: center; vertical-align: middle;">  </td> <td colspan="2" style="padding: 5px;"> TCS Technologies 430 Sandshore Road Unit 1 Hackettstown, NJ 07840 </td> </tr> <tr> <td colspan="2" style="padding: 5px; text-align: center;"> UV lamp Dorn SPE </td> </tr> <tr> <td style="padding: 5px;">8-20-2007</td> <td style="padding: 5px; text-align: center;">SPE</td> </tr> </table>		TCS Technologies 430 Sandshore Road Unit 1 Hackettstown, NJ 07840		UV lamp Dorn SPE		8-20-2007	SPE
	TCS Technologies 430 Sandshore Road Unit 1 Hackettstown, NJ 07840							
	UV lamp Dorn SPE							
	8-20-2007	SPE						

Early in 2007 Dorn SPE was acquired by Olec Corporation based in Santa Ana, CA.

The SPE name lives on in screen printing equipment and later UV roller-coaters.

TCS Technologies manufactures a complete line of Dorn SPE lamps. ***Here is a partial list of the Dorn SPE-Olec replacement lamps we manufacture:***

P3012C	P3015C	P3018C	P3024C
P3030C	P3030CV	P3038	P3042C
P3042CVB	P3048C	P3055C	P3060C
P3065C	6818A4C	6838B4C	6842B4C

500347	6848A4C	500348	
---------------	----------------	---------------	--

Compare curing performance and price; you will see why TCS Technologies' curing lamps compares favorably to OEM bulb.

- Our lamp is directly interchangeable with OEM product
- Our lamp is fabricated from the finest USA quartz and components
- Our lamp operates the same power level as OEM product
- Our lamp cures at the same rate
- Our lamp costs less

Purchasing a lamp from the OEM does not guarantee you get a better quality part. TCS Technologies provides an equivalent UV bulb at a fraction of the cost.