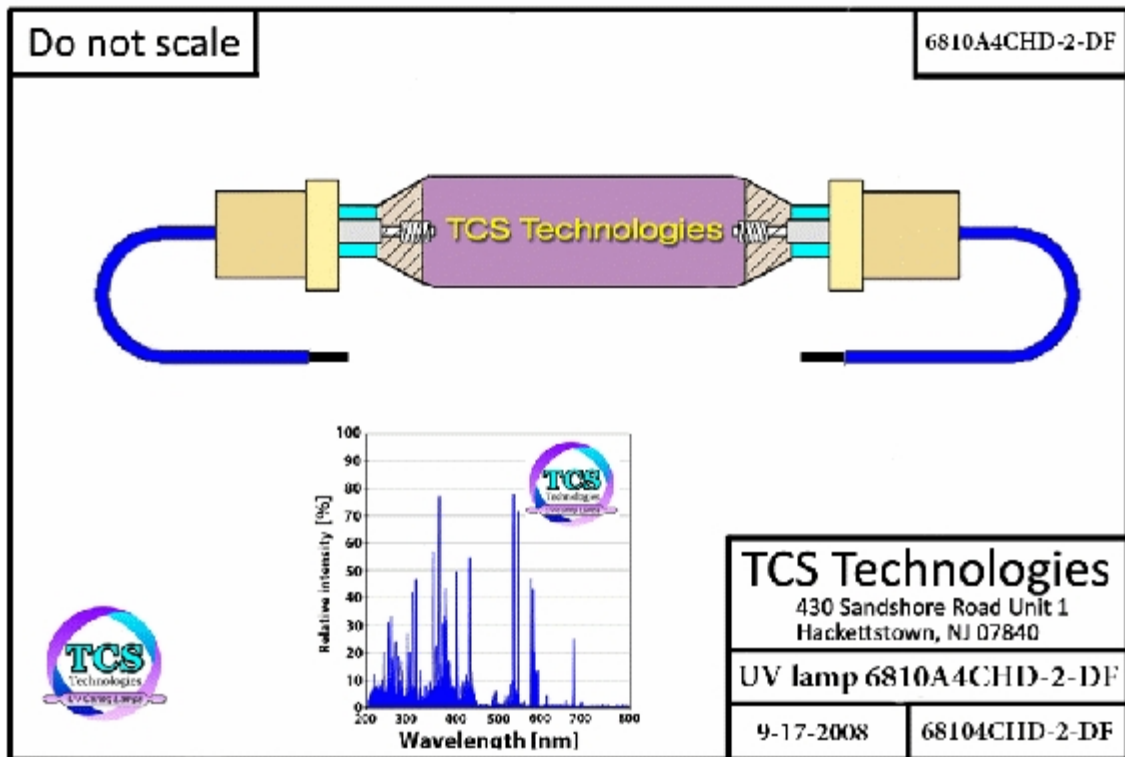


# 6810A4CHD-2-DF UV Inkjet Lamps

Bulb is a rapid-start, twin foil UV curing lamp used in Leggett & Platt printers. We suspect the printer is no longer manufactured however the replacement lamp lives on at TCS Technologies.

Remember, TCS Technologies actually manufactures the lamps we sell. If you only need one or two lamps, there is no problem. Compare this to the many internet distributors waiting for lamps to arrive from the Far East.



Since 1979, we have manufactured quality UV curing lamps right here in the USA. No order is too small and we ship worldwide. Our lamps are reliable and backed by 32-years of lamp-making excellence