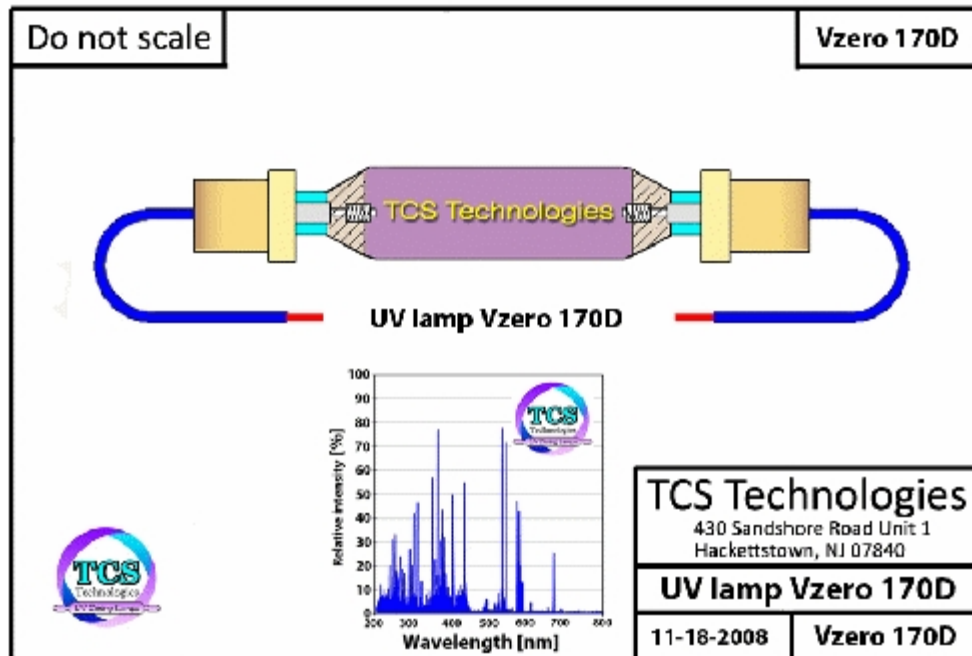


# Vzero 170D UV Inkjet Lamps



The Vzero 170D UV inkjet lamp is the highest power, longest arc of the Vzero series manufactured by TCS Technologies. This lamp is also used in certain Agfa Anapurna printers. Our 170D lamp is directly interchangeable with the OEM lamp. It provides optimal printer performance and output quality. You can pay more but you will not find a better Vzero lamp than from TCS Technologies.

We have helped numerous manufacturing and printing companies to better manage their technology investment. Let us help attain your goals of success and growth with cost-effective Vzero replacement digital printing lamps.

Since 1979, we have manufactured quality UV curing lamps right here in the USA. No order is too small and we ship worldwide. Our lamps are reliable and backed by 32-years of lamp-making excellence.